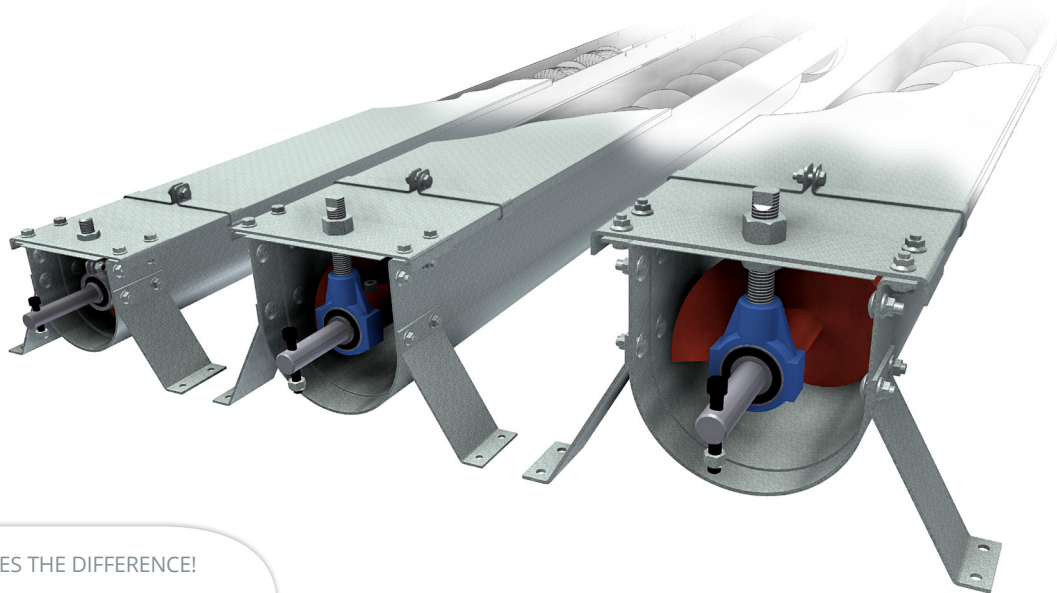




SKIOLD TROUGH AUGERS



SKIOLD MAKES THE DIFFERENCE!

SKIOLD TROUGH AUGERS SYSTEM U 10 - 15 - 20

Capacity up to 100 m³ per hour

Length up to 45 m

ATEX approved gear motors, zone 22

Heavy duty augers with reinforced bolt connections

Galvanized trough with tight-fitting cover

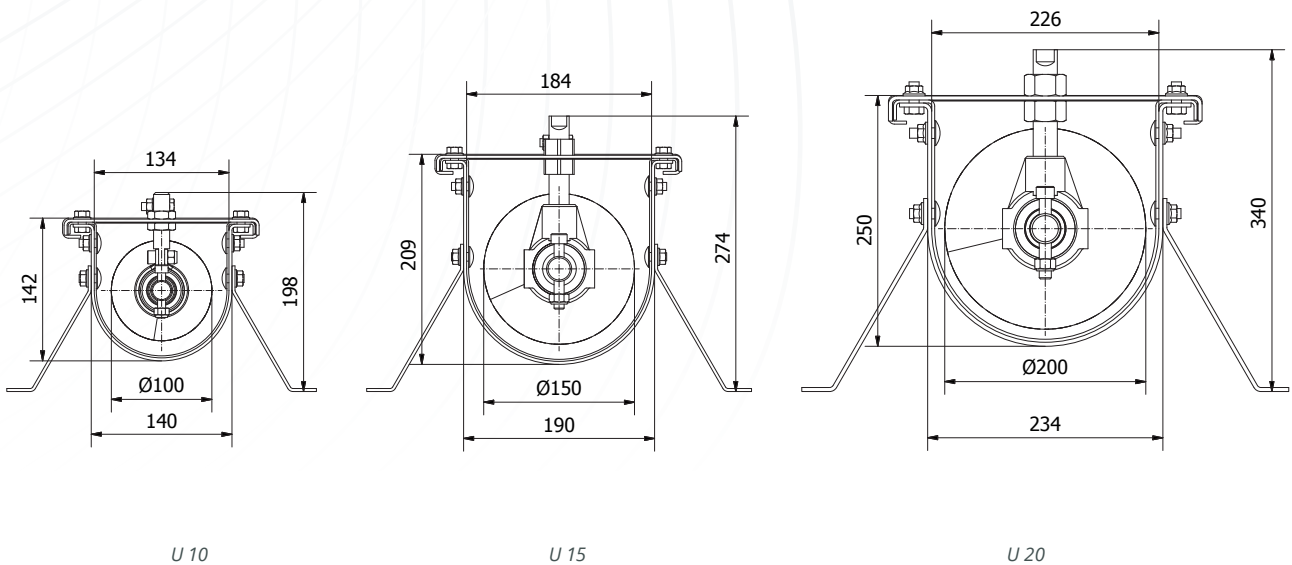
Wide range of accessories

SKIOLD TROUGH AUGER - U10/U15/U20

SKIOLD's trough augers are available in three sizes (U100, U150, U200) in galvanized material. They are suitable for horizontal transportation of meal, grain, granulate, and pellets. The trough augers are of strong quality which ensures long service life, even with many daily start-ups/stops and many operational hours.

The trough augers have a capacity of up to 50 tons/hour, max. length 45 meters, and are supplied with ATEX certified gear motor drive.

SKIOLD keeps a wide range of accessories to solve any transportation task.



Datablad. 986 003 945_01. 01-04-2014.

TECHNICAL SPECIFICATIONS

TYPE	Max capacity m ³ /h	Max length m	Motor kW	Max rpm
U10	22	45	1.1 - 7.5	560
U15	48	35	1.1 - 7.5	320
U20	104	15	1.1 - 7.5	280

Capacity will vary for different products